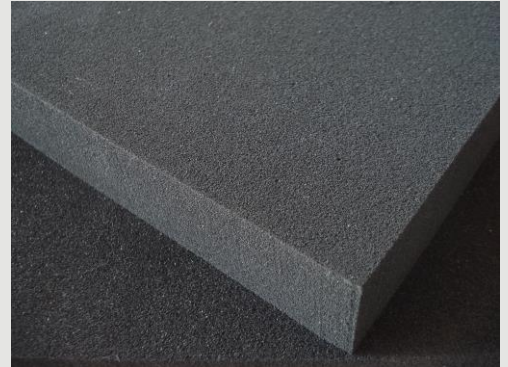


P is a range of flat absorbers consisting of a single layer of polyurethane foam with 90% open cells, impregnated with a dielectric carbon solution, a binder and fire retardant agents.

P absorbers are used to cover corners and angles in fully anechoic and semi-anechoic chambers.



MAIN CHARACTERISTICS

- **Matrix:** polyurethane foam with 90% open cells.
- **Impregnating agents:** carbon, binder, fire retardant.
- **Colours:** Black (unpainted)
- **Option:** Aqueous or plastic paint, in blue or different colours
- **Maximum service temperatures:** - 65° C and 160° C
- **Power handling:** 1600 W/m² maxCW.

COMPLIANCE TO STANDARDS & DIRECTIVES

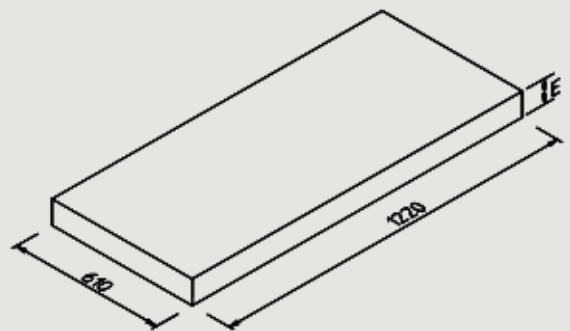
- **Fire resistance:** NRL 8093 (tests 1, 2 & 3), ISO 11952-2, Euroclass E, DIN 4102 (class B2)

Our raw materials are **compliant to RoHS / REACH** and free of substances in the current list of Substances of Very High Concern (SVHC) published by the European Chemicals Agency (ECHA).

Both aqueous and plastic paint coating were developed to comply with ISO class 4 clean room conditions according to ISO 14644-1 : 2015.

DIMENSIONS

Type	E (mm)*	Weight (kg)
P20	20	0,7
P25	25	0,9
P50	50	1,7
P75	75	2,6
P100	100	3,4
P150	150	5,1
P200	200	6,8



METHOD OF USE

P absorbers are fixed on the corners of the chambers with Neoprene contact glue.

These data are the result of tests performed in our laboratory. They are considered to be the best of our knowledge. The use of the material and the specification of the performances are made under the whole responsibility of users who should ensure themselves that the material is suitable for their purposes.